



# Lowriser

## Low rise platform lift

### Up to 1m

# Stannah

#### Technical Information

Built in Compliance with BS 6440:1999  
 Safe working load = 300Kg  
 Maximum threshold height = 1000mm  
 Lift speed = 20mm/sec  
 Ramp gradient = 1:6  
 Power supply = 230Vac 50Hz single phase & earth  
 Lift operating voltage = 24Vdc  
 Battery Powered raise and lowering  
 Manual emergency lowering  
 Hydraulic drive  
 Total lift unladen weight = 200Kg  
 Suitable for internal and external use

A turning circle of diameter 1500mm is recommended at the entrance and exit points of the lift.

A minimum of 2m is required above the first floor level.

#### Lift Clearances Recommended by BS6440: 1999

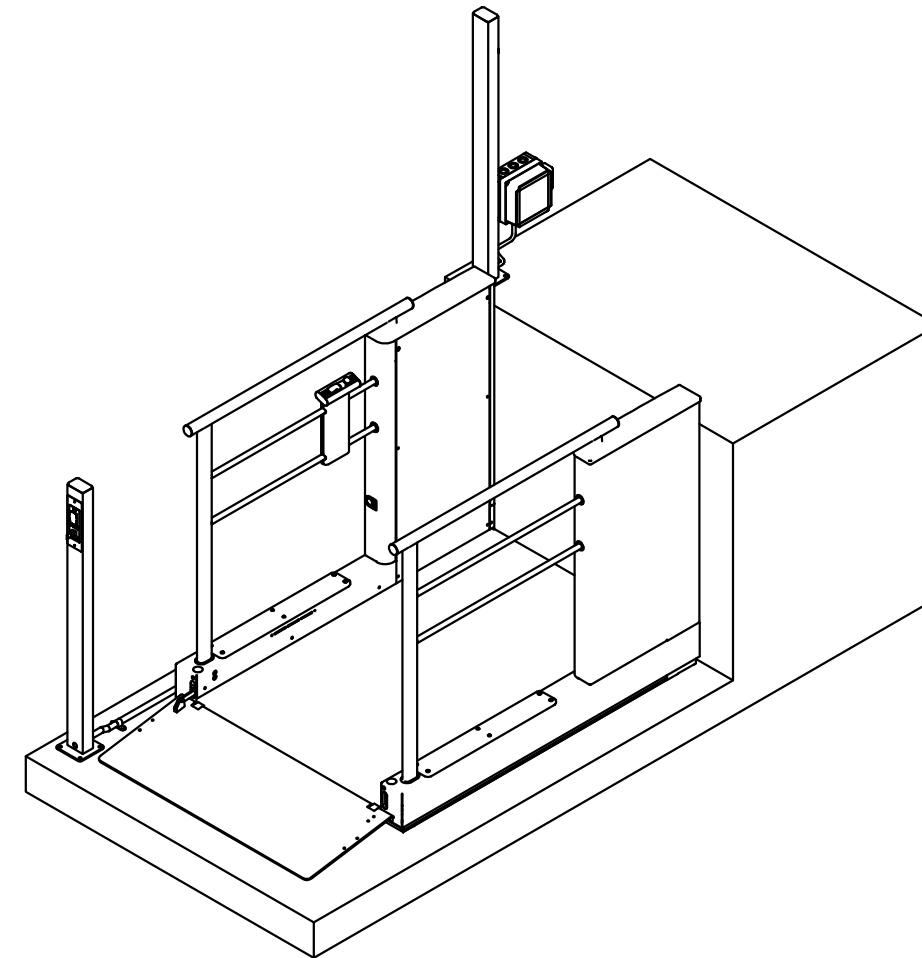
Any objects less than 400mm from the lift should form a continuous vertical surface for the full height of the lift travel zone (1300 + threshold height).

The minimum distance from any adjacent surface to the side of the lift is 150mm.

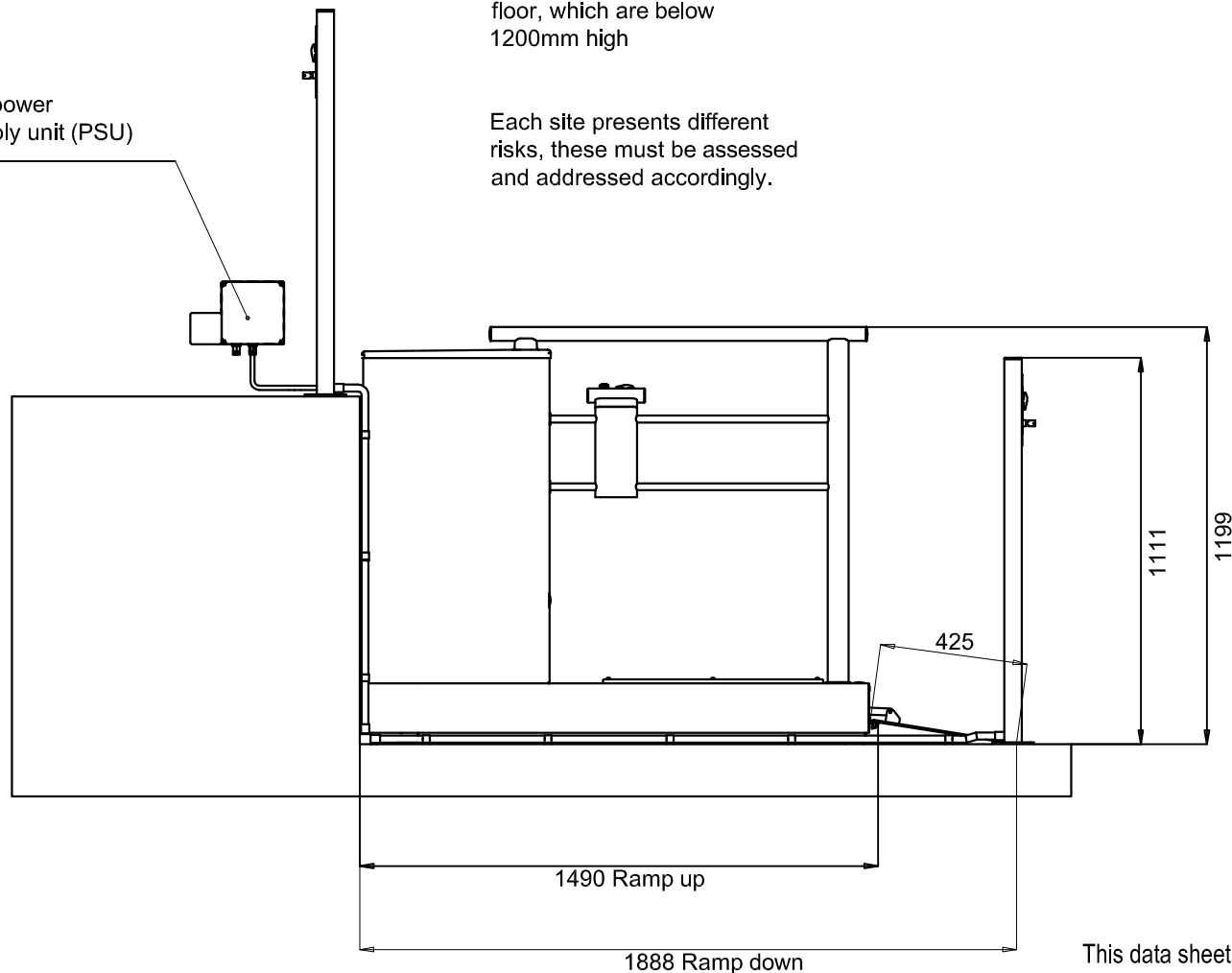
If 150mm is not achievable, the distance must be a maximum of 10mm. The surface must have a flush finish for the full lift travel zone (1300+threshold height).

Side panel full infills are available, these can overcome certain hazards. Eg..Dwarf walls at the ground floor, which are below 1200mm high

Each site presents different risks, these must be assessed and addressed accordingly.



Lift power supply unit (PSU)



	LR800	LR900	LR1100
Useable Platform Width	800	900	1100
Useable Platform Length	1450	1450	1450
Lift External Width Dimension	1004	1104	1304
Recommended Minimum Width to fit the Lift	1304	1404	1604

#### Waiver:

This data sheet is for guidance only and must not be used for proper working drawings. Please contact Stannah Lifts for particular details before proceeding. Owing to our policy of continual improvement we reserve the right to alter specifications and dimensions without prior notice

**Stannah lifts Ltd.**  
 Anton Mill, Andover, Hampshire. SP10 2NX  
**Tel: 01264 339090**  
**www.stannahlifts.co.uk**

Information sheet  
**LR 910**  
 Rev A  
 15.07.11